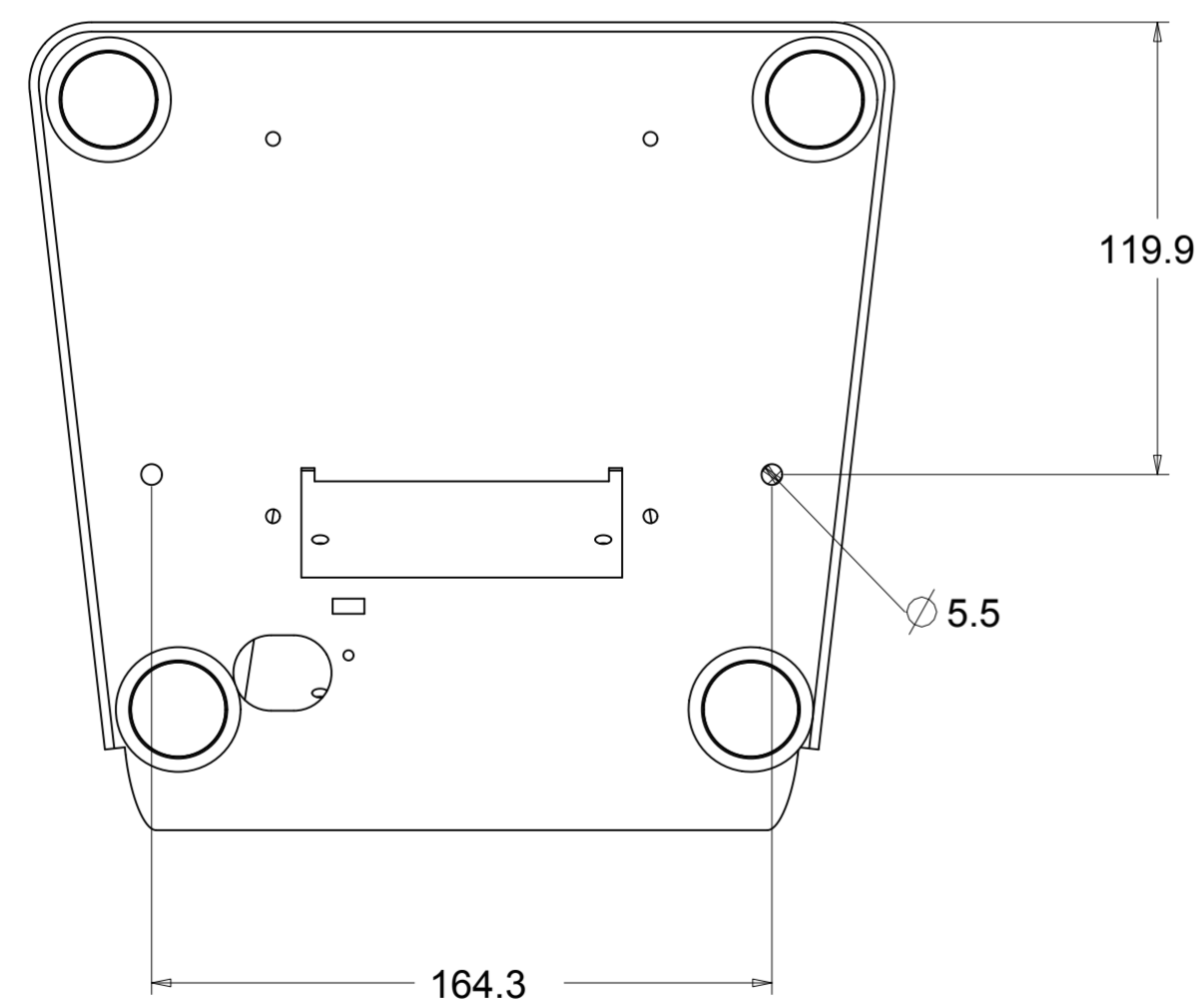
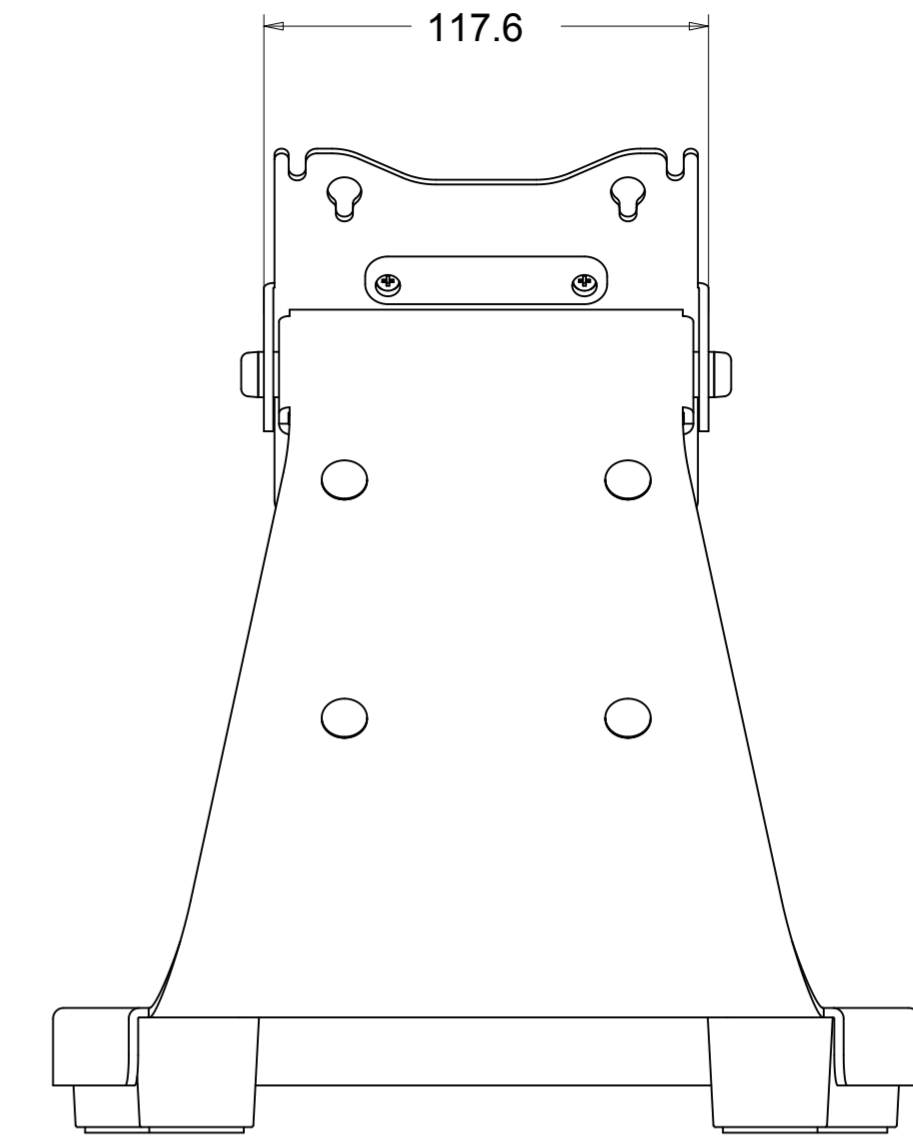
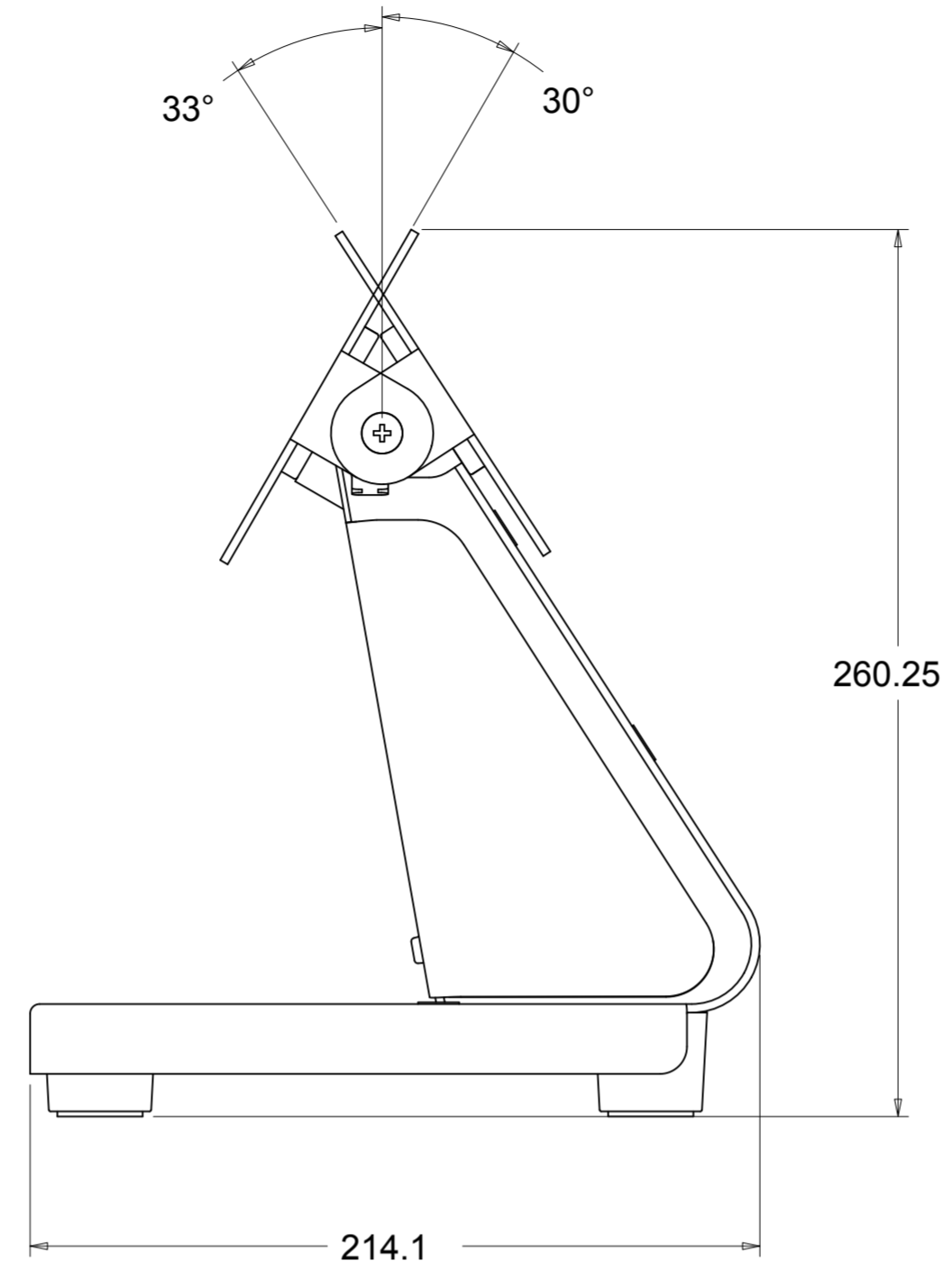
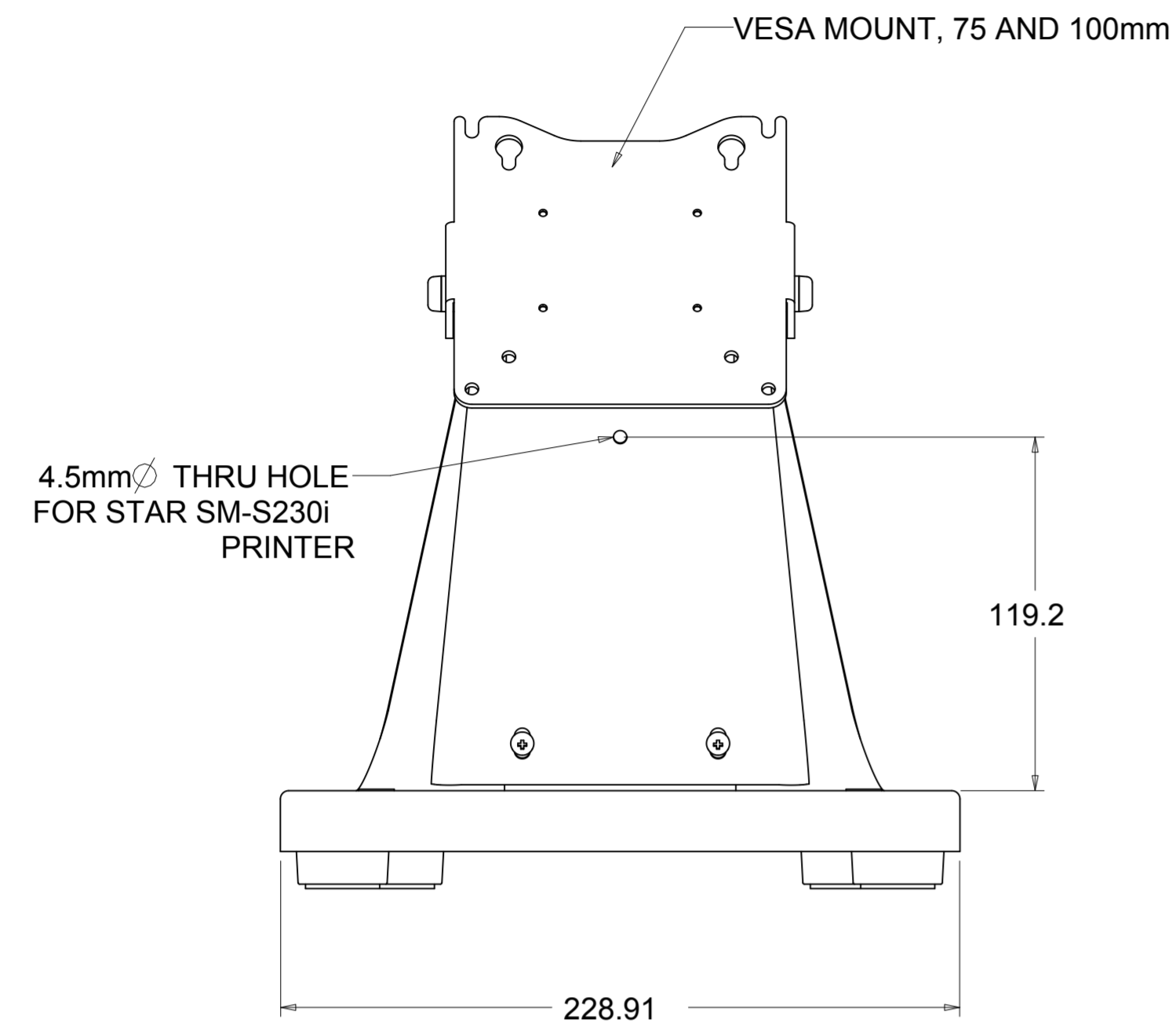
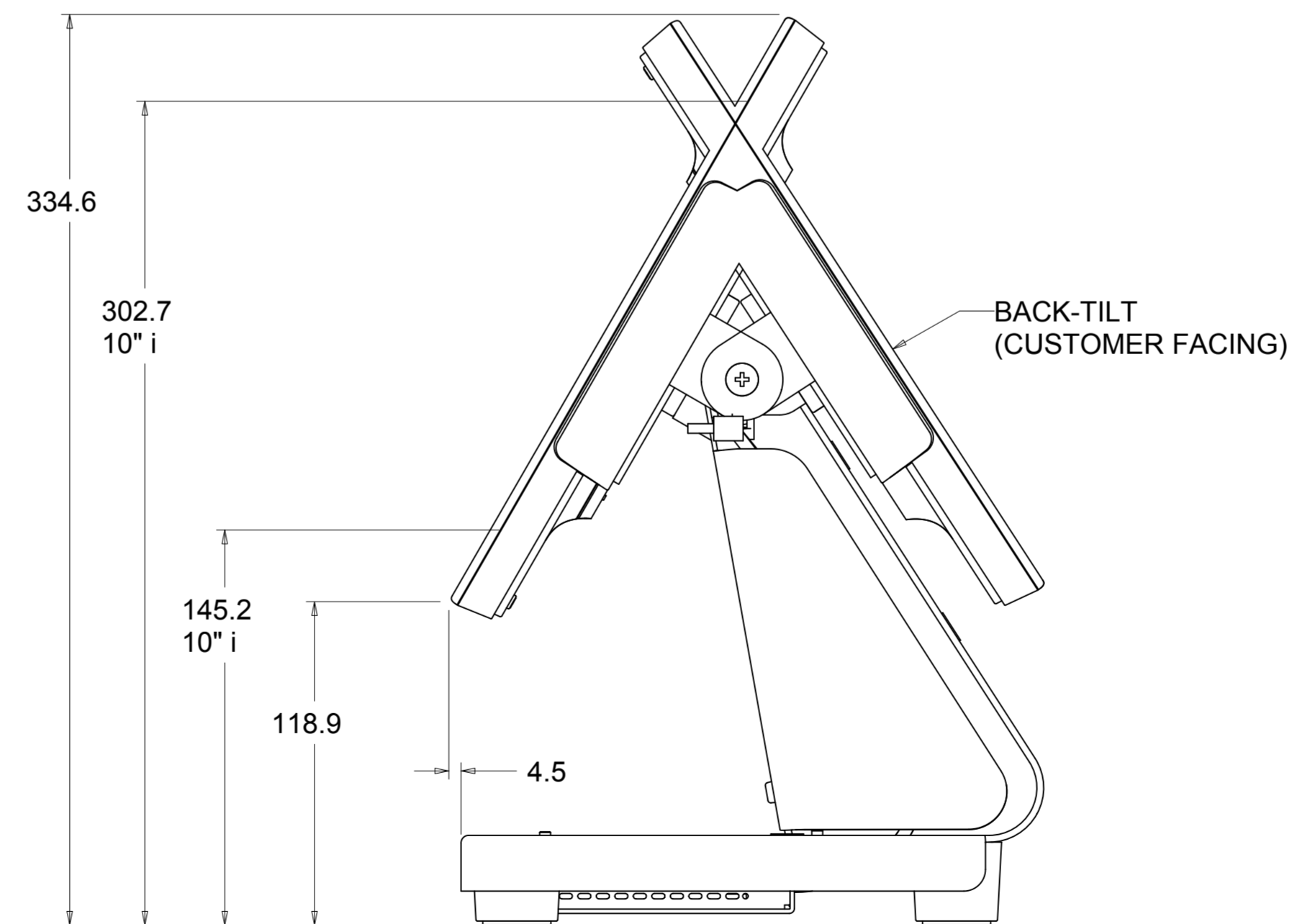


P/N/E924077

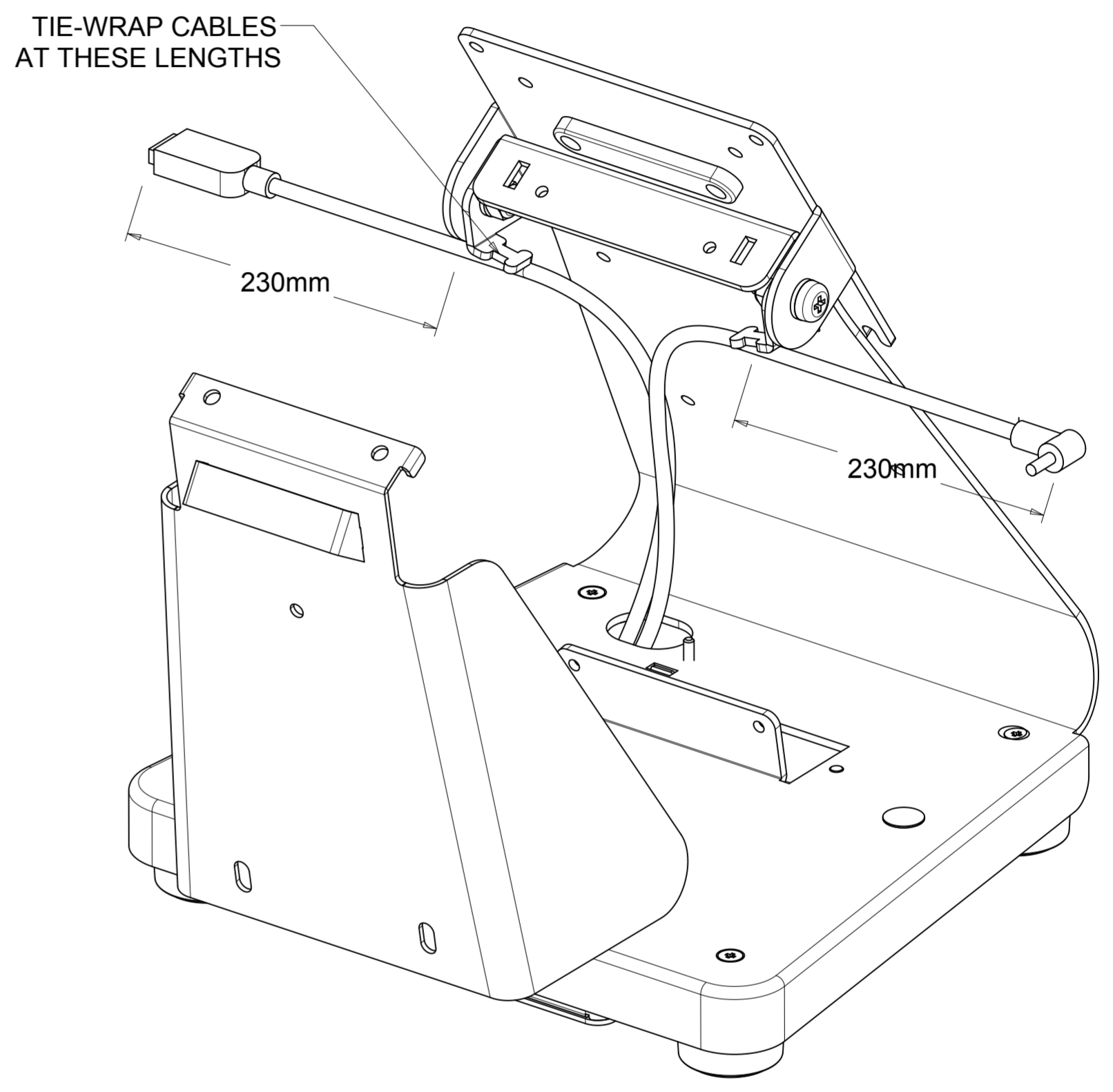
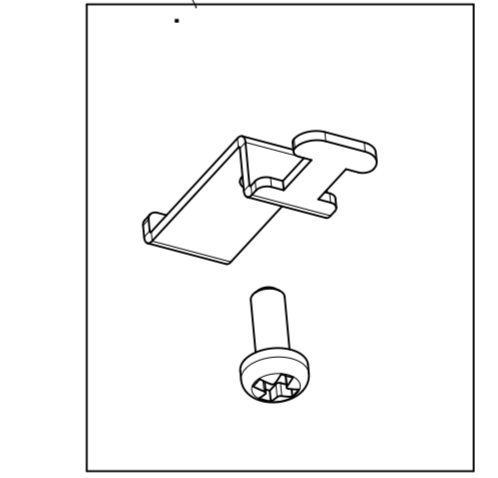
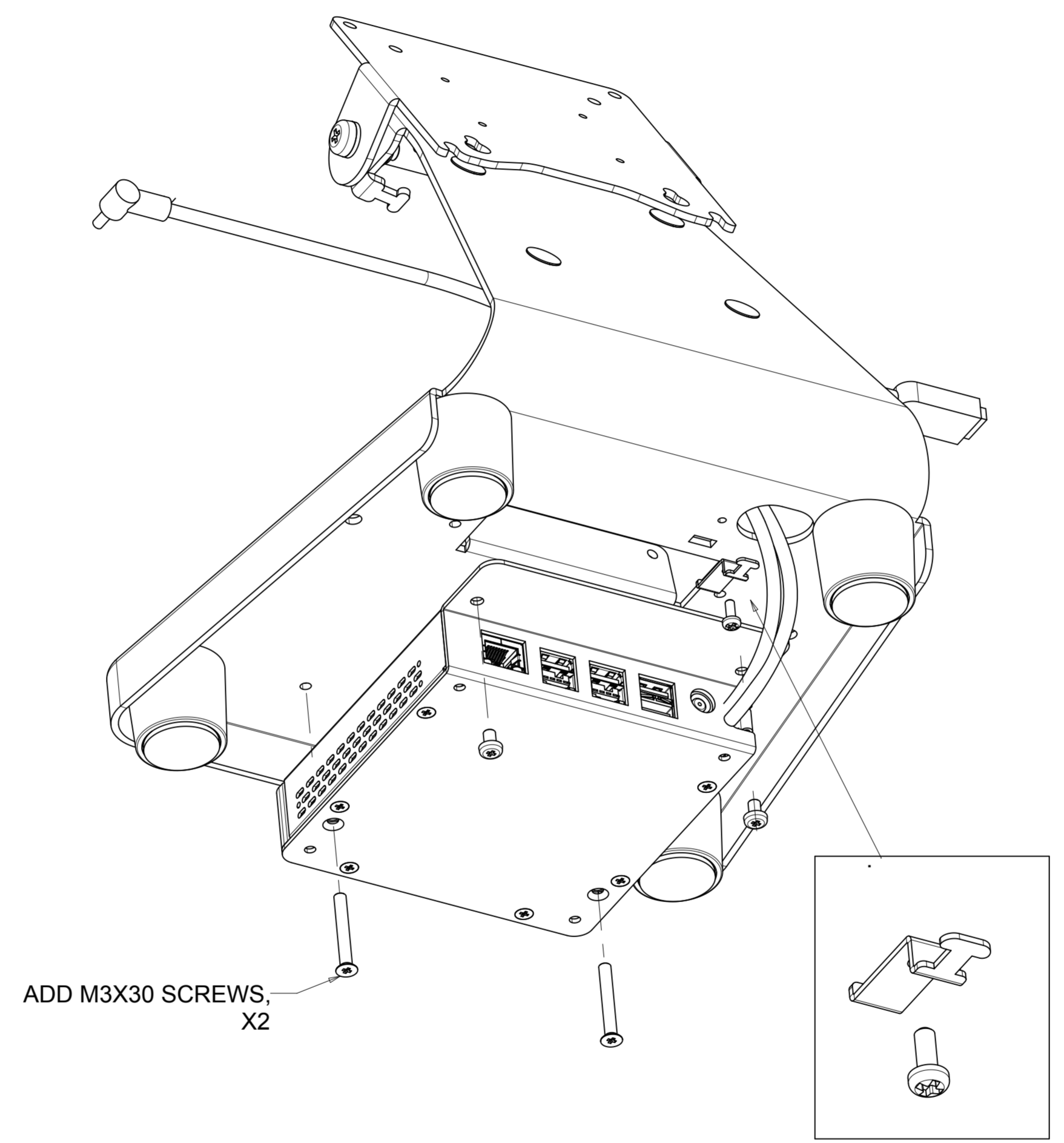
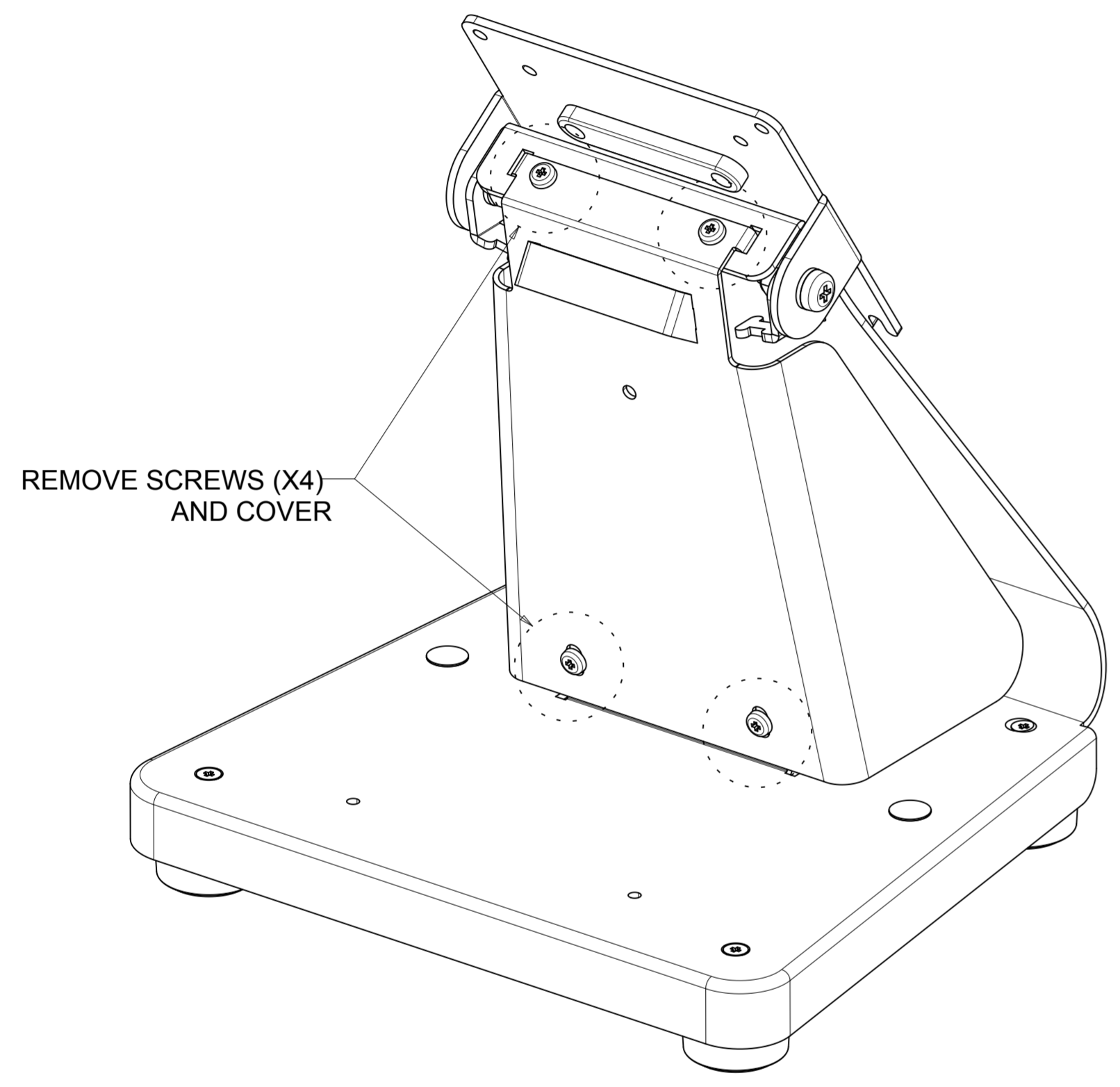


THROUGH HOLES FOR TABLE MOUNTING



REF. DIMS. FOR I-SERIES:
10", P/N E021014
15", P/N E021201 (SHOWN)

OPTIONAL KIT, EXPANSION MODULE,
P/N E923781



SECURE CABLE COVER,
ADD 10"/15" I-SERIES